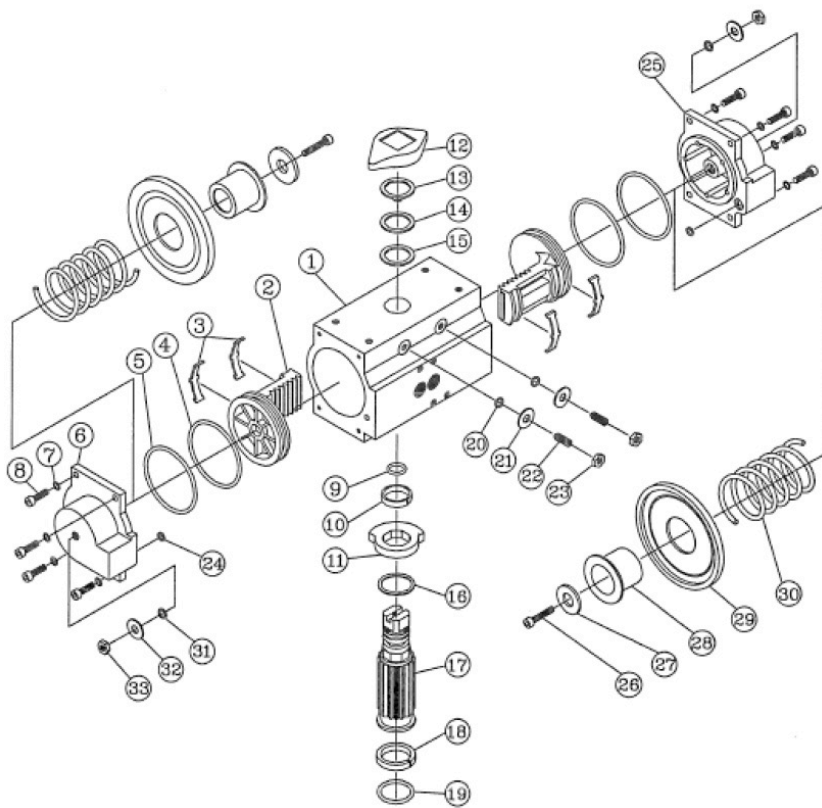


## Series RPS - Spring Return



### Features:

- ISO 5211 mounting interface allows direct actuator mounting without using bracket & coupling.
- Air supply connections & rod shaft comply with VDI/VDE 3845 (NAMUR) standard for good interchangeability.
- Hard and aluminum body & Electroless nickel coated steel drive-shaft give high corrosion-resistance & superior wear-resistance.
- Independent travel stops in both directions offer +/-5" travel adjustment to ensure accurate valve alignment.
- One-piece blowout-proof shaft ensures safety, strength, and extended cycle life.
- Extruded aluminum body with precision machined internal surface guarantee low friction, high cycle life and precision piston fit.
- Precision machined gear teeth with extra fine tolerance reduce backlash on the system, ensure excellent tooth engagement, and maximize cycle life.



### Material List:

No.	Parts	Materials	Qty.
1.	Body	Extruded Aluminum Alloy (Hard anodized)	1
2.	Piston	Die cast Aluminum Alloy	2
3.	Piston Bearing	Nylon	4
4.	Piston O-ring	Buna-N	2
5.	End Cap O-ring	Buna-N	2
6.	End Cap	Die cast Aluminum Alloy	1
7.	Washer	AISI 304	8
8.	Cap Screw	AISI 304	8
9.	O-ring	Buna-N	1
10.	Shaft Bearing	Nylon	1
11.	Stop Cam	Sintering Steel	1
12.	Piston Indicator	Polyethylene	1
13.	Retaining Ring	AISI 420	1
14.	Washer	AISI 304	1
15.	Top Bearing	Nylon	1
16.	Retaining Ring	AISI 304	2
17.	Drive Shaft	Carbon Steel (Electroless Nickel coated)	1
18.	Shaft Bearing	Nylon	1
19.	Shaft O-ring	Buna-N	1
20.	O-ring	Buna-N	2
21.	Washer	AISI 304	2
22.	Stop Screw	AISI 304	2
23.	Nut	AISI 304	2
24.	O-ring	Buna-N	2
25.	End Cap	Die cast Aluminum Alloy	1
26.	Screw	AISI 304	2
27.	Washer	Carbon Steel	2
28.	Spring Guide	Carbon Steel	2
29.	Retainer	Carbon Steel	2
30.	Spring	Spring Steel	2
31.	O-ring	Buna-N	2
32.	Washer	AISI 304	2
33.	Nut	AISI 304	2

### Specifications:

Air Supply Pressure	40 psi to 120 psi (2.8 bar to 8.3 bar)
Working Temperature	0° F to 180° F (-17° C to 82° C)
Rotation Adjustment Range	Max. -5° to 95°; Min. +5° to 85°

#### Note:

1. For operation at or below 32°F(0°C), steps must be taken to assure a moisture-free air supply.
2. Viton seals are available for higher temperature up to 280°F(137°C), but temperatures above 180°F(82°C) require a remote mounted solenoid.

### Options:

- Series SY: Scotch Yoke design, Double Acting.
- Series SYS: Scotch Yoke design, Spring Return.