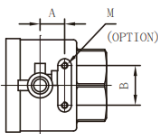
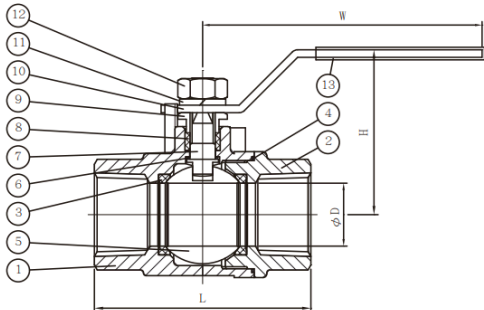
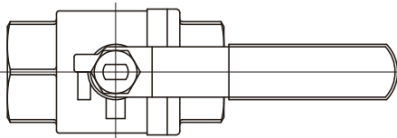
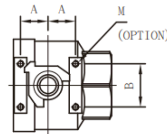


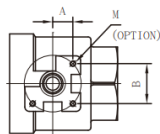
FIG. S-292T / C-292T: THREADED ENDS, ¼" TO 2": 2000 W.O.G., 2 ½" TO 4": 1500 W.O.G.



FOR 1 ¼"~2"



FOR 2 ½"~3"



FOR 4"

Features:

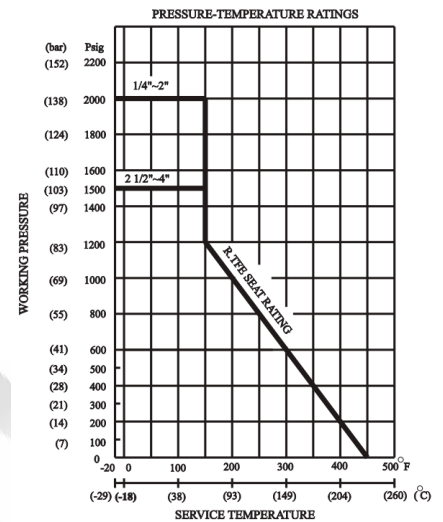
- Strengthened construction secures 2000 psi working pressure rating. Reinforced TFE seats increase durability.
- Adjustable packing gland.
- Bottom-loaded blow-out proof stem.
- Basic design complied with ANSI B16.34 & EN 12516-1.
- NPT threaded ends complied with ANSI B 1.20.1..
- Re, Rp & G Threaded ends complied with BS 21/2779, JIS B- 0203/0202, DIN 259/2999, ISO 228-1, ASI 722.1/1722.2 are upon request.
- Tested according to API 598

Materials List:

NO.	PARTS	S-292T	C-292T
1	BODY	ASTM A351-CF8M	ASTM A216-WCB
2	END CAP	ASTM A351-CF8M	ASTM A216-WCB
3	SEAT	REINFORCED TFE	REINFORCED TFE
4	BALL	ASTM A351 -CF8M /316	ASTM A351- CF8 /304
5	THRUST WASHER	PTFE	PTFE
6	GASKET	PTFE	PTFE
7	STEM	ASTM A276-316	ASTM A276-304
8	STEM PACKING	PTFE	PTFE
9	GLAND	AISI 304	AISI 304
10	HANDLE WASHER	AISI 304	AISI 304
11	HANDLE NUT	AISI 304	AISI 304
12	HANDLE	AISI 304	ZINC PLATED STEEL
13	HANDLE COVER	PVC	PVC

OPTIONS:

- F: FIRE-SAFE DESIGN.
- L: LOCKING DEVICE.
- M: TAPPED MOUNTING PAD.
- V: VENTED BALL.



Dimension

SIZE		ØD		L		A		B		H		w		Weight		M (OPTION)
in	mm	in	mm	in	mm	in	mm	in	mm	in	mm	in	mm	lbs	kgs	
¼	8	0.43	11.00	2.24	57.00	0.50	12.70	1.12	28.50	2.13	54.00	3.70	94.00	0.56	0.25	10-24UNC
⅜	10	0.49	12.50	2.24	57.00	0.50	12.70	1.12	28.50	2.13	54.00	3.70	94.00	0.62	0.28	10-24UNC
½	15	0.59	15.00	2.54	64.50	0.50	12.70	1.12	28.50	2.24	57.00	3.70	94.00	0.73	0.33	10-24UNC
¾	20	0.79	20.00	2.87	73.00	0.87	22.10	1.38	35.00	2.46	62.50	4.37	111.00	1.02	0.46	10-24UNC
1	25	1.00	25.40	3.37	85.50	0.93	23.60	1.38	35.00	2.87	73.00	5.37	136.50	1.72	0.78	10-24UNC
1 ¼	32	1.26	32.00	3.94	100.00	0.93	23.60	1.50	38.10	3.09	78.50	5.37	136.50	2.67	1.21	1/4-20UNC
1 ½	40	1.50	38.00	4.41	112.00	0.93	23.60	1.50	38.10	3.48	88.50	6.57	167.00	3.89	1.77	1/4-20UNC
2	50	1.97	50.00	5.12	130.00	0.93	23.60	1.50	38.10	3.84	97.50	6.57	167.00	6.14	2.79	1/4-20UNC
2 ½	65	2.56	65.00	6.38	162.00	1.38	35.00	2.17	55.00	5.06	128.50	9.57	243.00	14.11	6.40	1/4-20UNC
3	80	3.15	80.00	7.09	180.00	1.38	35.00	2.17	55.00	5.49	139.50	9.57	243.00	20.45	9.28	1/4-20UNC
4	100	3.94	100.00	9.09	231.00					6.59	167.50	10.79	274.00	45.41	20.60	M10