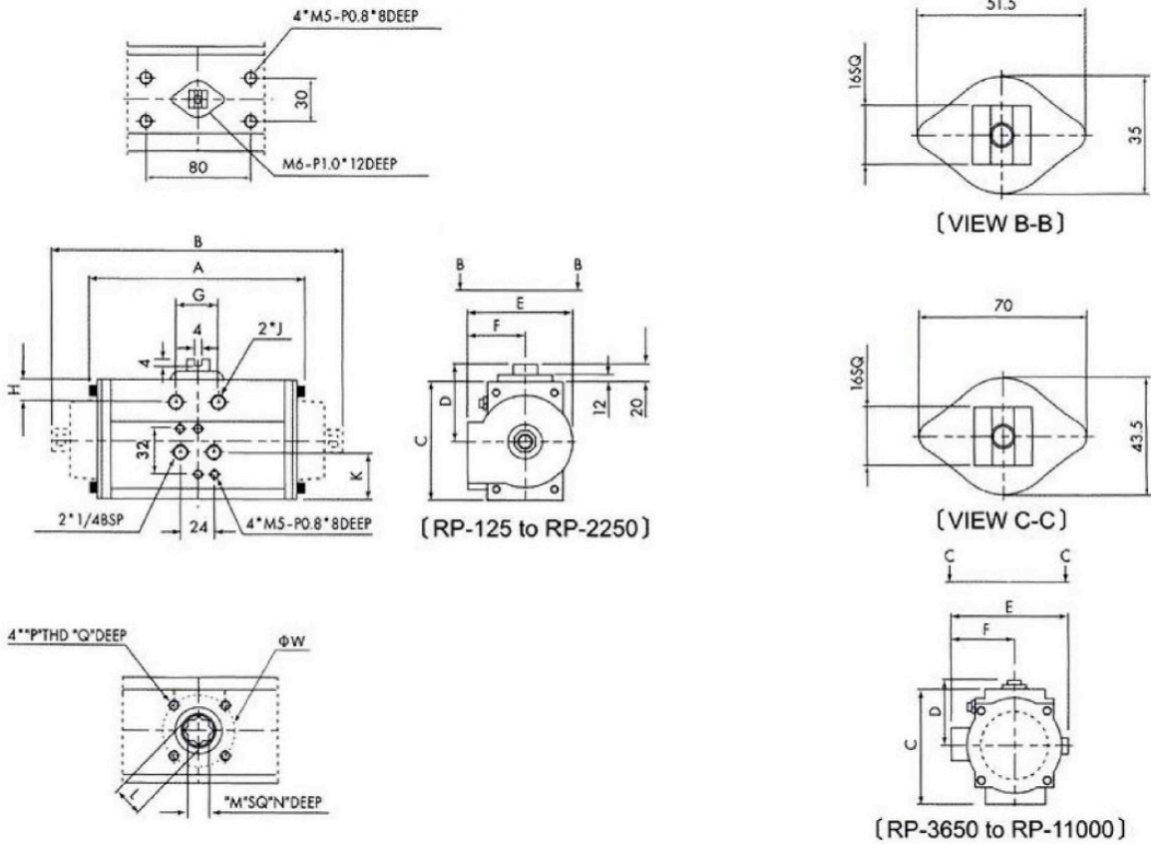


Series RP - Double Acting; Series RPS - Spring Return



Dimensions:

Fig. No.	A*		B**		C		D		E		F		G		H	
	in	mm	in	mm	in	mm	in	mm	in	mm	in	mm	in	mm	in	mm
RP-125	4.72	120	-	-	2.52	64	2.07	52.50	2.45	62.20	1.33	33.70	0.94	24	0.43	11
RP-250	5.67	144	7.68	195	3.11	79	2.28	58.00	3.19	81.00	1.89	48.00	1.30	33	0.51	13
RP-450	5.87	149	8.11	206	3.86	98	2.64	67.00	3.74	95.00	2.05	52.00	1.30	33	0.55	14
RP-1000	7.20	183	9.84	250	4.76	121	3.11	79.00	4.69	119.00	2.56	65.00	1.81	46	0.67	17
RP-2250	10.24	260	13.98	355	5.55	141	3.54	90.00	5.55	141.00	2.99	76.00	2.13	54	0.75	19
RP-3650	11.97	304	16.61	422	6.93	176	3.90	99.00	7.28	185.00	4.17	106.00	3.15	80	1.06	27
RP-5000	14.33	364	19.17	487	7.72	196	4.61	117.00	8.07	205.00	4.25	108.00	3.11	79	1.10	28
RP-11000	19.29	490	25.28	642	9.61	244	5.47	139.00	9.37	238.00	4.92	125.00	3.74	95	1.42	36

Fig. No.	J		K		L		M		N		P	Q		W		ISO 5211
	mm	mm	in	mm	in	mm	in	mm	in	mm	in	mm	in	mm		
RP-125	11	M5	0.93	23.50	0.49	12.50	0.354	9.00	0.39	10.00	M5	0.31	8	1.65	42	F04
RP-250	13	M5	1.17	29.70	0.57	14.50	0.433	11.00	0.67	17.00	M5 or M6	0.31 or 0.39	8 or 10	1.65 or 1.97	42 or 50	F04 or F05
RP-450	14	M6	1.19	30.20	0.74	18.80	0.551	14.00	0.83	21.00	M6 & M8	0.39 & 0.47	10 & 12	1.97 & 2.76	50 & 70	F05 & F07
RP-1000	17	M8	1.32	33.50	0.91	23.00	0.669	17.00	1.00	25.50	M6 & M8	0.39 & 0.47	10 & 12	1.97 & 2.76	50 & 70	F05 & F07
RP-2250	19	M10	1.54	39.00	1.16	29.50	0.866	22.00	1.22	31.00	M8 & M10	0.47 & 0.59	12 & 15	2.76 & 4.02	70 & 102	F07 & F10
RP-3650	27	M12	3.83	97.40	1.40	35.50	1.063	27.00	1.38	35.00	M10 & M12	0.59 & 0.75	15 & 19	4.02 & 4.92	102 & 125	F10 & F12
RP-5000	28	M12	3.90	99.00	1.40	35.50	1.063	27.00	1.38	35.00	M10 & M12	0.59 & 0.75	15 & 19	4.02 & 4.92	102 & 125	F10 & F12
RP-11000	36	M16	4.91	124.70	1.87	47.50	1.417	36.00	1.77	45.00	M16	0.94	24	5.51	140	F14

Note:

* Dimension "A" is for Series RP (Double Acting Actuator)

** Dimension "B" is for Series RPS (Spring Return Actuator)