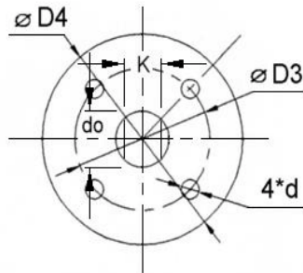


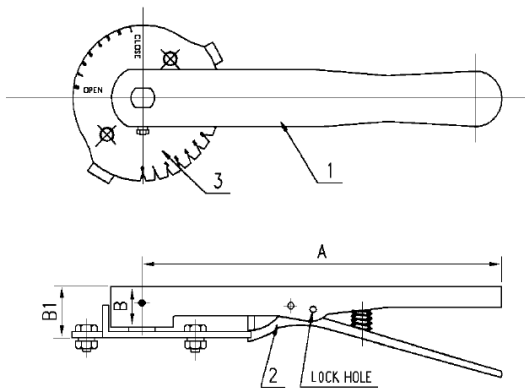
## Manual Operators for the KVC 1000/2000/4000 Series Butterfly Valve

### Lever Handle

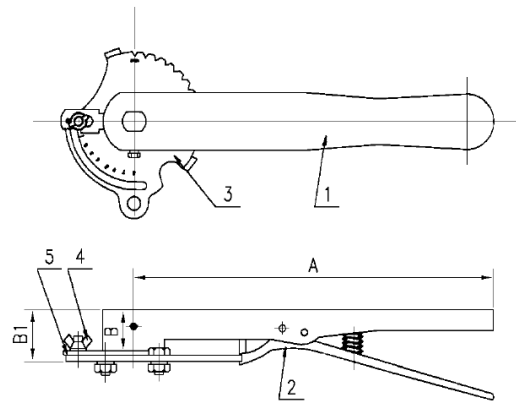


Item	Part Name
1	Handle
2	Lever
3	Notch plate
4	Locking nut
5	Throttle plate

### 10 Position Lever



### Infinite Position Lever



### Dimensions:

Size		A		B		B1		D3		D4		4*d		do	K	Weight	
in	mm	in	mm	in	mm	in	mm	in	mm	in	mm	in	mm	mm	mm	lb	kg
1½	40	10.50	266.70	1.06	27	1.37	35	2.76	70	3.54	90	0.39	10	12.6±0.025	10	1.87	0.85
2	50	10.50	266.70	1.06	27	1.37	35	2.76	70	3.54	90	0.39	10	12.6±0.025	10	1.87	0.85
2½	65	10.50	266.70	1.06	27	1.37	35	2.76	70	3.54	90	0.39	10	12.6±0.025	10	1.87	0.85
3	80	10.50	266.70	1.06	27	1.37	35	2.76	70	3.54	90	0.39	10	12.6±0.025	10	1.87	0.85
4	100	10.50	266.70	1.06	27	1.37	35	2.76	70	3.54	90	0.39	10	15.77±0.025	12	1.87	0.85
5	125	10.50	266.70	1.06	27	1.37	35	2.76	70	3.54	90	0.39	10	18.92±0.025	14	1.87	0.85
6	150	10.50	266.70	1.06	27	1.37	35	2.76	70	3.54	90	0.39	10	18.92±0.025	14	1.87	0.85
8	200	14.20	361.00	1.41	36	1.73	44	4.02	102	4.92	125	0.47	12	22.10±0.025	17	4.40	2.00
10	250	19.60	499.00	1.41	36	1.73	44	4.02	102	4.92	125	0.47	12	28.45±0.025	22	5.94	2.70
12	300	19.60	499.00	1.41	36	1.73	44	4.02	102	4.92	125	0.47	12	31.60±0.051	24	5.94	2.70