

## FIG.GBV-3000 Series

## 300 WOG GROOVED END BUTTERFLY VALVE – Lever Handle



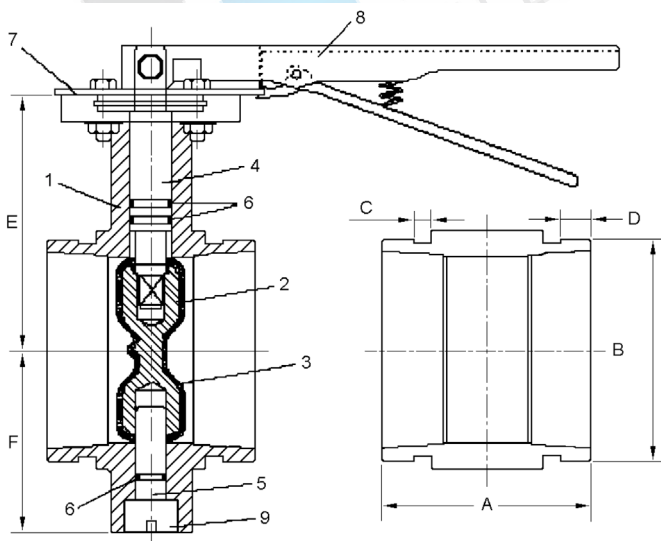
### Features:

- Valves to MSS-SP67 & API 609
- Valves conform to AWWA C-606
- Maximum operating temperature:
  - EPDM encapsulated disc: 121 °C (250 °F)
  - Buna-N encapsulated disc: 88 °C (190 °F)

|                |                |
|----------------|----------------|
| Test Pressures | Shell: 450 psi |
|                | Seat: 330 psi  |

### Materials List:

| No. | Part Name       | Specifications              |
|-----|-----------------|-----------------------------|
| 1   | Body            | Ductile iron A536           |
| 2   | Disc            | Ductile iron A536           |
| 3   | Rubber Lining   | EPDM aa                     |
| 4   | Upper Stem      | Stainless steel A433 410    |
| 5   | Lower Stem      | Stainless steel A433 410    |
| 6   | O-Ring          | Buna-N aa                   |
| 7   | Position Plate* | Carbon steel A27-91 65-35   |
| 8   | Lever Handle    | Malleable iron A47-90 22010 |
| 9   | Plug            | Steel                       |



| Temperature range of seats |                |
|----------------------------|----------------|
| Material                   | Range          |
| Buna-N                     | -12°C ~+ 93°C  |
| EPDM                       | -30°C ~+ 140°C |
| Neoprene                   | -7°C ~+ 107°C  |
| Hypalon                    | -18°C ~+ 149°C |
| Viton                      | -12°C ~+ 140°C |
| PTFE                       | -20°C ~+ 121°C |

### Options:

- Buna-N lining on disc
- Manual gear operator, electric or pneumatic actuation.

### Dimensions:

| Size |     | A    |     | B     |     | C    |    | D    |    | E     |     | F    |     | Weight |       |
|------|-----|------|-----|-------|-----|------|----|------|----|-------|-----|------|-----|--------|-------|
| in   | mm  | in   | mm  | in    | mm  | in   | mm | in   | mm | in    | mm  | in   | mm  | lb     | kg    |
| 2    | 50  | 3.20 | 81  | 2.40  | 60  | 0.31 | 8  | 0.63 | 16 | 3.30  | 85  | 2.20 | 57  | 5.90   | 2.70  |
| 2 ½  | 65  | 3.80 | 97  | 2.90  | 73  | 0.31 | 8  | 0.63 | 16 | 4.20  | 106 | 2.60 | 65  | 7.50   | 3.40  |
| 3    | 80  | 3.80 | 97  | 3.50  | 89  | 0.31 | 8  | 0.63 | 16 | 4.40  | 113 | 3.00 | 75  | 8.60   | 3.90  |
| 4    | 100 | 4.60 | 116 | 4.50  | 114 | 0.39 | 10 | 0.63 | 16 | 5.30  | 135 | 3.50 | 90  | 11.90  | 5.40  |
| 5    | 125 | 5.80 | 148 | 5.60  | 141 | 0.39 | 10 | 0.63 | 16 | 5.80  | 148 | 4.30 | 110 | 20.00  | 9.10  |
| 6    | 150 | 5.80 | 148 | 6.60  | 168 | 0.39 | 10 | 0.63 | 16 | 7.10  | 181 | 4.90 | 124 | 23.00  | 10.50 |
| 8    | 200 | 5.30 | 134 | 8.60  | 219 | 0.43 | 11 | 0.75 | 19 | 8.00  | 204 | 6.10 | 155 | 37.40  | 17.00 |
| 10   | 250 | 6.30 | 159 | 10.70 | 273 | 0.51 | 13 | 0.75 | 19 | 9.10  | 230 | 7.50 | 190 | 84.00  | 38.10 |
| 12   | 300 | 6.50 | 166 | 12.80 | 324 | 0.51 | 13 | 0.75 | 19 | 10.60 | 270 | 9.10 | 230 | 100.00 | 45.40 |