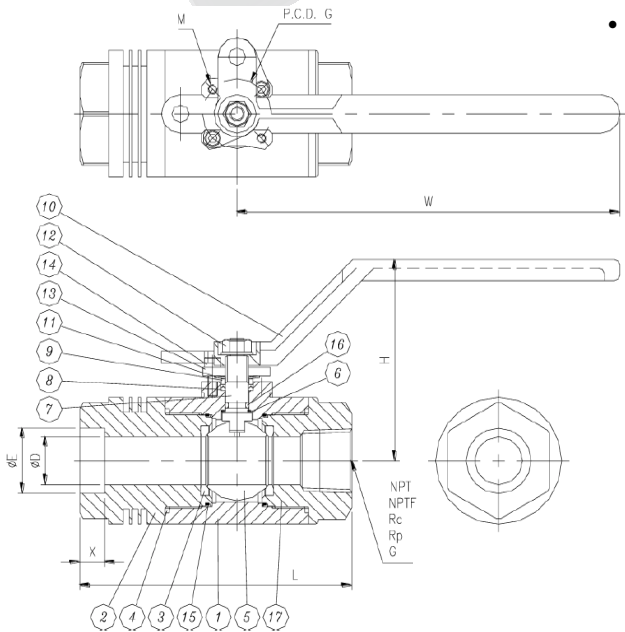


**FIG. C-333ST-LF2: 3000 WOG CLASS 1500 EXTENDED SOCKET WELD X THREADED ENDS
NACE MR-01-75 1/4" to 1 1/2": Full Port 2": Standard Port, ISO 5211 Mounting Pad**



Features:

- Forged steel body construction secures Class 1500/3000 psi working pressure rating.
- LF2 valve body & socket weld end cap for low-temperature applications.
- Special design of extended socket weld end facilitates heat dissipation during welding. No prior disassembly of valve is required therefore welding installation process is shortened.
- Use of body O-ring and body joint gasket double secures NO LEAKAGE.
- Live-loaded packing gland for self-adjustment of stem packing compression.
- Rugged lockable lever handles for safety and long service life.
- Body O-rings are placed ahead of the body cap threads, providing a tight seal and protection of threads from flow media.
- Gland bolts allow for easy packing adjustment without handle removal.
- Pressure equalizing seats & Bottom-loaded blow-out proof stem. Vented ball equalizes pressure between the body cavity and the flow stream to prevent seat damage due to thermal cycling.
- Full compliance with ASME/ANSI B16.34 & EN12516-1.
- Socket weld ends complied with ANSI B16.11 & EN 12760. NPT threaded ends complied with ANSI B1.20.1.
- Fire-safe per API 607, including Graphite gasket, Graphite stem packing & post-fire metal-to-metal seal.
- Anti-static device.
- Tested according to API 598.



Materials:

No.	Part Name	C-333ST-LF2
1	Body	ASTM A350-LF2
2	End cap	ASTM A350-LF2
3	Seat	TFM 4215
4	Gasket	Graphite
5	Ball	ASTM A351-CF8M/316
6	Thrust Washer	TFM1600
7	Stem	17-4 PH(ASTM A564 Type 630)
8	Stem Packing	Graphite
9	Gland	AISI 304
10	Handle	Carbon Steel
11	Belleville Washer	AISI 301
12	Handle Nut	Carbon Steel
13	Gland Flange	Carbon Steel
14	Gland Bolt	AISI 304
15	Body O-Ring	HSN (HNBR)
16	Stem O-Ring	HSN (HNBR)
17	Threaded End Cap	ASTM A352-LCC

Dimension:

Size		Ø D		Ø E		L		H		W		X		Ø G		Weight		M
in	mm	in	mm	in	mm	in	mm	in	mm	in	mm	in	mm	in	mm	lbs	kgs	
1/2	15	0.49	12.50	0.86	21.80	4.61	117	3.15	80.00	6.30	160	0.39	10	1.42	36	2.52	1.14	M5
3/4	20	0.79	20.00	1.07	27.20	5.98	152	3.90	99.00	7.87	200	0.51	13	1.42	36	4.43	2.01	M5
1	25	0.98	25.00	1.33	33.90	6.46	164	4.09	104.00	7.87	200	0.51	13	1.42	36	6.81	3.09	M5
1 1/2	40	1.50	38.00	1.92	48.80	7.87	200	5.03	127.70	9.84	250	0.51	13	1.97	50	17.31	7.85	M6
2	50	1.50	38.00	2.41	61.20	8.07	205	5.03	127.70	9.84	250	0.64	16.2	1.97	50	19.03	8.63	M6

