

FIG. 278-CI-125:

**CLASS 125 SWING CHECK VALVE FLANGED ENDS BOLTED COVER
BRONZE TRIM**

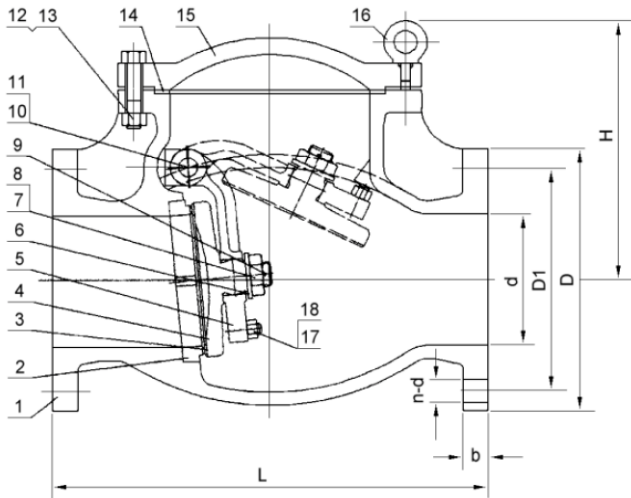


Features:

- Flange dimensions: ANSI B16.1
- Face-to-Face dimensions: ANSI B16.10
- Testing & Design: MSS-SP-71

Materials List:

No.	Part Name	Specification
1	Body	ASTM A126B
2	Seat ring	ASTM B62
3	Disc seal ring	ASTM B62
4	Disc	ASTM A126B
5	Hinge	ASTM A216 WCB
6	Washer	Carbon steel
7	Nut	Carbon steel
8	Stud	Carbon steel
9	Split pin	304SS
10	Hinge pin	13Cr
11	Plug	ASTM A536
12	Bolt	ASTM A307
13	Nut	Carbon steel
14	Cover gasket	Graphite & steel
15	Cover	ASTM A126B
16	Eye screw	Carbon steel
17	Adjusting screw	Carbon steel
18	Nut	Carbon steel



Dimensions:

Size		L		D		D1		b		n-d		H		Weight	
in	mm	in	mm	in	mm	in	mm	in	mm	in	in	mm	lbs	kgs	
2	50	8	203	6	152	4 3/4	121	5/8	15.90	4 - 3/4	6	152	30	13.6	
2 1/2	65	8 1/2	216	7	178	5 1/2	140	1 1/16	17.50	4 - 3/4	6 3/8	162	50	22.7	
3	80	9 1/2	241	7 1/2	190	6	152	3/4	19.00	4 - 3/4	6 7/8	175	55	25	
4	100	11 1/4	292	9	229	7 1/2	191	1 5/16	23.80	8 - 3/4	8 5/8	219	86	39.1	
5	125	13	330	10	254	8 1/2	216	1 5/16	23.80	8 - 7/8	8 7/8	225	130	59.1	
6	150	14	356	11	279	9 1/2	241	1	25.40	8 - 7/8	10	254	154	70	
8	200	19 1/2	495	13 1/2	343	11 3/4	298	1 1/8	28.60	8 - 7/8	11 3/4	298	279	127	
10	250	24 1/2	622	16	406	14 1/4	362	1 3/16	30.20	12 - 1	14 13/16	376	407	185	
12	300	27 1/2	699	19	483	17	432	1 1/4	31.80	12 - 1	16 1/8	410	594	270	
14	350	31	787	21	533	18 3/4	476	1 3/8	34.90	12 - 1 1/8	17 1/2	445	829	377	
16	400	36	914	23 1/2	597	21 1/4	540	1 7/16	36.50	12 - 1 1/8	19 3/4	502	1148	522	
18	450	36	914	25	635	22 3/4	578	1 9/16	39.70	16 - 1 1/4	27 1/2	699	1727	785	
20	500	40	1016	27 1/2	699	25	635	1 11/16	42.90	20 - 1 1/4	29 1/4	743	2596	1180	
24	600	48	1219	32	813	29 1/2	749	1 7/8	47.60	20 - 1 3/8	33 1/4	845	3520	1600	