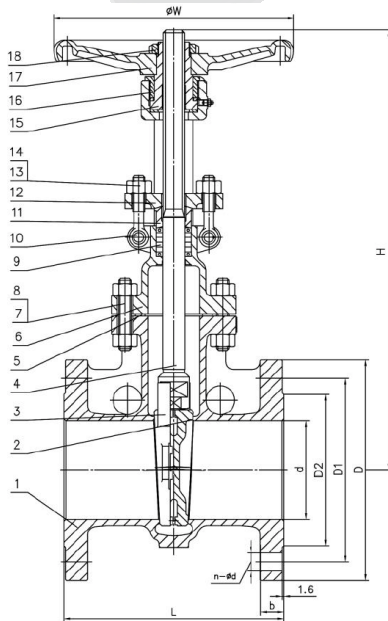


**FIG. 272-SS-150:**

**CLASS 150 FLANGED ENDS BOLTED BONNET 316 SS BODY AND BONNET**



**Features:**

- Flange ends dimensions: ANSI B16.5
- Face-to-Face dimensions: ANSI B16.10
- Wall thickness

**Materials List:**

No.	Part Name	Specification
1	Body	ASTM A351-CF8M/316
2	Seal facing	SS316
3	Wedge	ASTM A351-CF8M/316
4	Stem	ASTM A182 F316
5	Gasket	SS316+Graphite
6	Bonnet	ASTM A351-CF8M/316
7	Bonnet bolt	ASTM A193 B8
8	Bonnet nut	ASTM A194 8
9	Stem packing	Graphite
10	Pin	ASTM A182 F316
11	Gland	ASTM A182 F316
12	Gland flange	ASTM A351-CF8
13	Gland eyebolt	ASTM 193 B8
14	Gland nut	ASTM A194 8
15	Stem nut	ZCuAl10Fe3
16	Stem nut gland	ASTM A182 F304
17	Handwheel	Cast Iron
18	Handwheel lock nut	ANSI 1020

**Note:**

Other body materials and trims are available upon request.

**Dimensions:**

Size		d		D2		D1		D		B		L		H		W		n-Ød
in	mm	in	mm	in	mm	in	mm	in	mm	in	mm	in	mm	in	mm	in	mm	
2	50	2	51	3.60	92	4.70	120.5	6.00	152	0.63	16	7.00	178	13.50	343	7.80	200	4 - Ø19
3	80	3	76	5.00	127	6.00	152.5	7.50	190	0.75	19	8.00	203	16.40	416	9.80	250	4 - Ø19
4	100	4	102	6.20	157	7.50	190.5	9.00	229	0.95	24	9.00	229	19.00	482	9.80	250	4 - Ø19
6	150	6	152	8.50	216	9.50	241.5	11.00	279	1.02	26	10.50	267	24.10	613	11.80	300	4 - Ø19
8	200	8	203	10.60	270	11.80	298.5	13.50	343	1.14	29	11.50	292	29.50	748	13.80	350	4 - Ø19
10	250	10	254	27.80	324	14.30	362	16.00	406	1.22	31	12.99	330	35.43	900	15.75	400	12 - Ø25.5
12	300	12	305	15.00	381	17.00	432	19.00	483	1.26	32	14.02	356	41.34	1050	17.72	450	12 - Ø25.5