

FIG. 115T:

**CLASS 125 BRONZE Y PATTERN STRAINER SCREW-IN CAP SOLID CAP
STAINLESS STEEL SCREEN NPT ENDS**

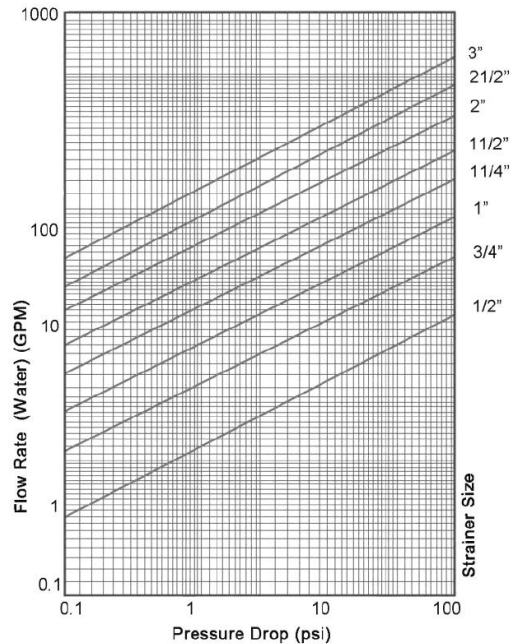
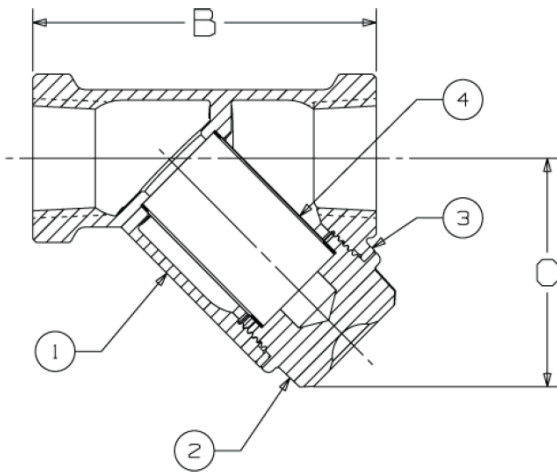


Features:

- Conforms to ANSI B1.20.1
- Working Pressure:
 - 125 PSI/8.6 Bar Saturated Steam to 353°F/178°C
 - 200 PSI/13.8 Bar Non-Shock Cold Working Pressure

Materials:

No.	Part Name	Specification
1	Body	Bronze ASTM B62 Alloy C83600
2	Cap	Bronze ASTM B62 Alloy C83600
3	Gasket	PTFE
4	Screen	ASTM E2016 20 Mesh- 304 Stainless Steel



Dimension:

Size		B		C		Weight	
in	mm	in	mm	in	mm	lb	kg
1/2	15	2.53	64	1.79	46	0.81	0.37
3/4	20	3.25	83	2.15	55	1.13	0.51
1	25	3.77	96	2.82	72	1.85	0.84
1 1/4	32	4.56	116	3.25	83	2.96	1.34
1 1/2	40	5.24	133	3.63	92	4.47	2.03
2	50	5.95	151	5.00	127	7.43	3.37
2 1/2	65	7.98	203	5.70	145	14.94	6.78
3	80	9.28	236	6.52	166	21.68	9.84