

FIG. 102T

200 WOG FORGED BRASS NRS GATE VALVE NPT ENDS

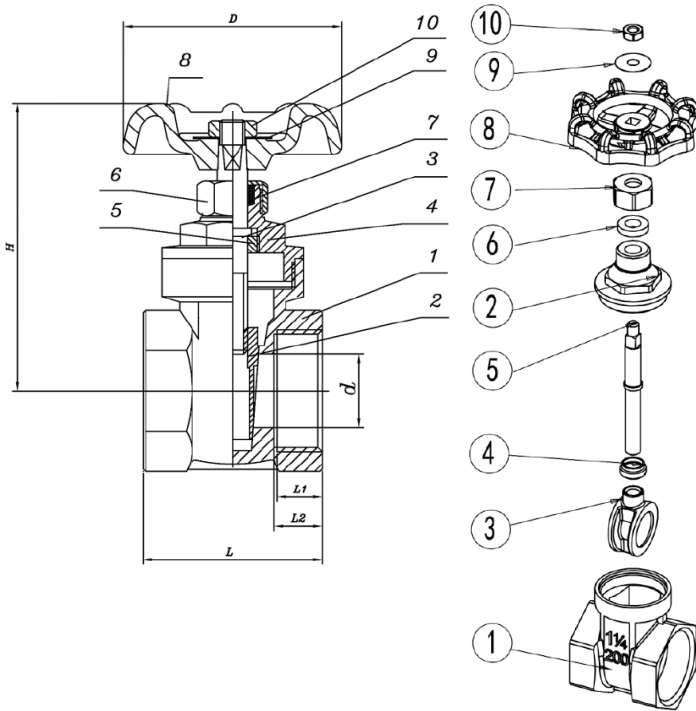


Features:

- 200 WOG, screwed bonnet, brass body & bonnet, non-rising stem, NPT ends.
- Valves comply to: MSS SP-25
- Working pressure: 200 psi
- Threaded ends to: ANSI B1.20.1

Material List:

No.	Part Name	Specification
1	Body	ASTM B283 C37700
2	Disc	Brass
3	Stem	Brass
4	Bonnet	Brass
5	Lock Nut	Brass
6	Nut	Brass
7	Gland Packing	PTFE
8	Handwheel	Cast Iron
9	Name Plate	AL
10	Nut	Q235



Dimensions:

Size		D	d	L		L1		L2		H	
in	mm			in	mm	in	mm	in	mm	in	mm
¼	8	Ø53	Ø11	1.65	42.00	0.39	10.00	0.47	12.00	2.82	71.50
⅜	10	Ø53	Ø12.5	1.65	42.00	0.39	10.00	0.47	12.00	2.82	71.50
½	15	Ø53	Ø13.5	1.65	42.00	0.43	11.00	0.49	12.50	2.90	73.70
¾	20	Ø53	Ø19.5	1.84	46.50	0.47	12.00	0.53	13.50	3.37	85.70
1	25	Ø59	Ø25	2.05	52.00	0.55	14.00	0.61	15.50	3.80	96.50
1 ¼	32	Ø78	Ø31.5	2.30	58.50	0.59	15.00	0.65	16.50	4.36	110.70
1 ½	40	Ø78	Ø37.5	2.45	62.00	0.59	15.00	0.69	17.50	4.88	124.00
2	50	Ø78	Ø48	2.76	70.00	0.78	18.00	0.79	20.00	5.59	142.00
2 ½	65	Ø108	Ø62	3.48	88.50	0.81	20.50	0.93	23.50	7.30	185.50
3	80	Ø126	Ø76	3.82	97.00	0.91	23.00	1.02	26.00	8.23	209.00
4	100	Ø144	Ø98	4.57	116.00	1.18	30.00	1.34	34.00	9.96	253.00